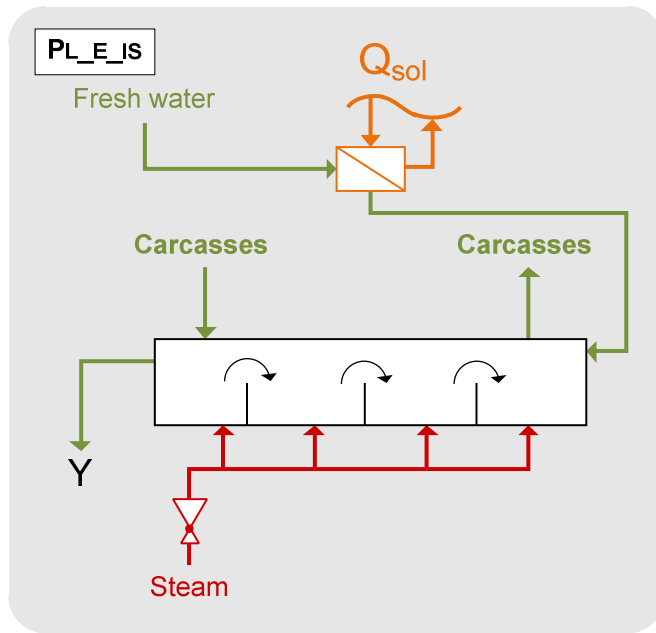
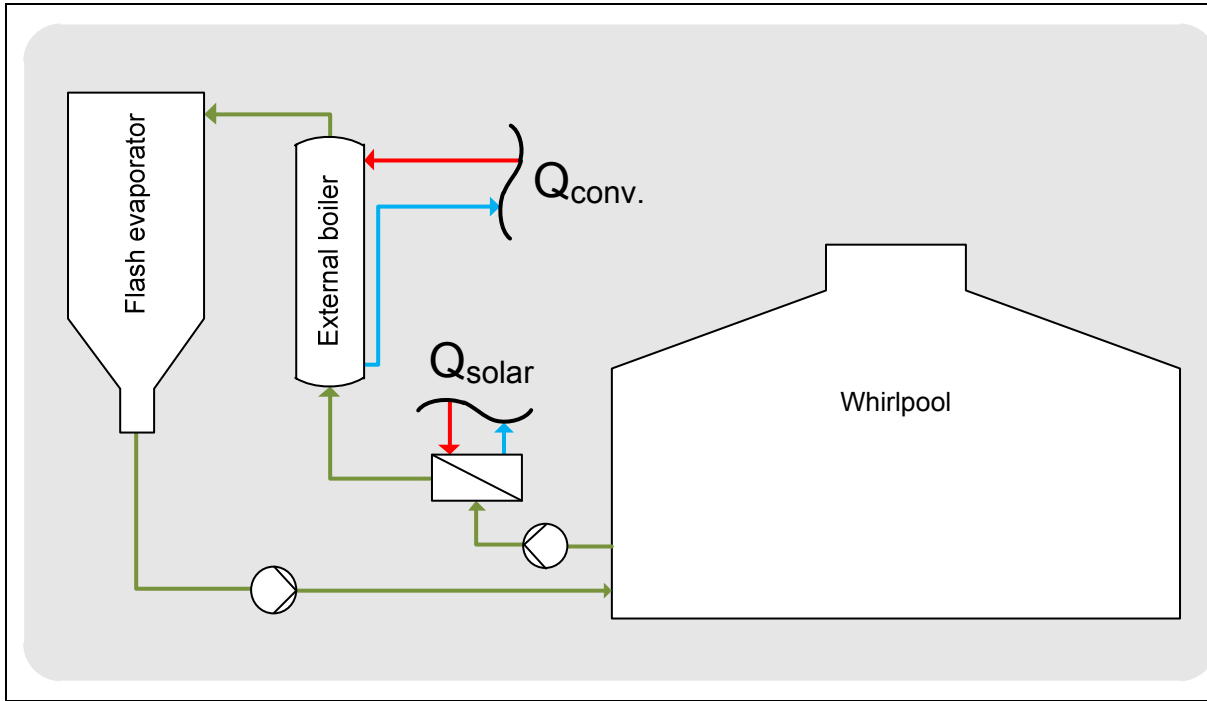


Cooking and boiling



Example how to integrate solar heat for a scalding process in chicken slaughterhouses. The displayed scalding bath for chicken slaughtering is conventionally heated by direct steam injection. Based on water discharge by carcasses and evaporation losses a significant amount of fresh water is fed to the scalding bath, which can be preheated by solar energy. Possibly, this integration concept can be combined with PL_E_PM and PL_E_HB.



Example how to integrate solar heat for a wort boiling process in breweries.

Different wort boiling technologies are used within breweries. The figure illustrates a vacuum boiling technology. Therefore, the wort is stored within the whirlpool, heated by an external boiler (usually tube bundle HX) and fed into an expansion vessel where the evaporation takes place. After a defined time of running this cycle at atmospheric pressure vacuum is applied and external heating is not necessary any more.

For wort boiling processes with external boilers solar heat can be used to preheat the wort before entering the external HX as illustrated in the figure.