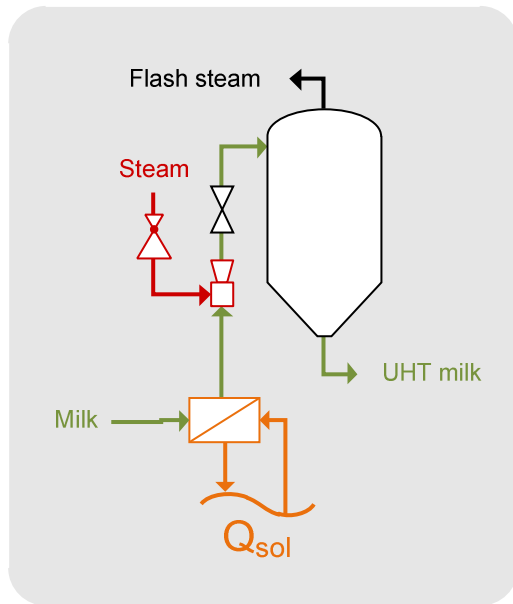
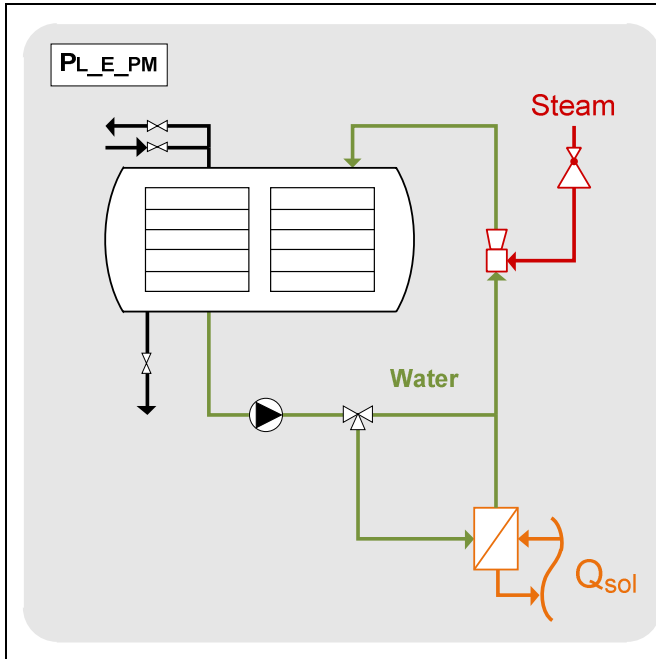


## Sterilization



Example how to integrate solar heat for sterilization of milk (UHT Processing).

For UHT Processing steam is injected into milk to heat it up to sterilization temperature ( $> 135\text{ }^{\circ}\text{C}$ ). Following, the milk-steam-mixture is fed into an expansion vessel to remove separate steam and milk. Solar heat can be used to preheat the milk before steam injection.



Example how to integrate solar heat for sterilization of canned food via autoclaves.

Within the conventional system the water of the autoclave is heated by steam injection and fed back into the autoclave. The water flow can be separated and partially heated by solar energy to reduce the conventional steam demand for the sterilization process.